



AEFLIX BARRIER SUN MAINTENANCE MANUAL

2023

Aeflix OÜ
Phone: (+372) 56568285
Address: Jõe tn 1, Kambja vald
61707 Tartumaa, Estonia
E-mail: info@aeflix.eu



Aeflix OÜ
Phone: (+372) 56568285
Address: Jõe tn 1, Kambja vald
61707 Tartumaa, Estonia
E-mail: info@aeflix.eu



Content

1	Definitions of hazards	4
2	Read before use.....	5
2.1	General safety.....	5
2.2	Electrical safety.....	6
2.3	Mechanical safety	6
2.4	Automation safety.....	7
2.5	Manufacturer liability	7
3	Maintenance of the machine.....	8
3.1	Mechanical description of the machine	8
3.2	Mechanical maintenance of the machine.....	10
3.3	Description of the barrier technical parameters	14

Aeflix OÜ
Phone: (+372) 56568285
Address: Jõe tn 1, Kambja vald
61707 Tartumaa, Estonia
E-mail: info@aeflix.eu

1 Definitions of hazards

The following pictograms appear in the manual:



CAUTION!

This term and symbol will be used if non-compliance with safety information can result in bodily injury or death. Used also when it can end with significant damage to the machine.



ATTENTION!

This term and symbol are used to indicate to minor injury or other consequential damages resulting from use.

2 Read before use



CAUTION!

These devices may only be used by trained personnel. The user must always follow the operating instructions, safety instructions, safety labels and instructions for safe handling of the device. Persons who do not have the necessary training are a danger to themselves and to the equipment.

IMPORTANT! The operator of the device must be familiar with all warnings, cautions, and instructions before using the device. Before starting work on the equipment, the owner of the equipment must make sure that the fitters and operators of the machine have read both the safety and operating instructions for the equipment and the maintenance manual. The main responsibility for ensuring safe operation of the equipment lies with the owner of the equipment and the individuals who use it

All machinery involves hazards due to rotating bodies, belts and pulleys, high voltage, noise and compressed air. When using the equipment, safety precautions must be observed to prevent injuries to persons and damage to the equipment.



CAUTION! It is strictly forbidden to be in the work area or on work surfaces when the device is running, as this could result in serious injury or death. Machines can move if the emergency stop button is not pressed.

2.1 General safety

- This device can cause serious injuries.
- Read local safety instructions before starting work. If you have any safety questions, contact your machine dealer.



ATTENTION!

- Security covers must be kept closed and locked when the device is running.

2.2 Electrical safety

- Supply voltage must correspond to manufacturer specifications. Machine use with improper supply voltage may result in damages to machines and operators.
- Electrical cabins must be locked at all times, with exception to assembly and maintenance work. Assembly and maintenance work can only be performed by professionals. If the main switch is turned on some of the components may be at an energized state, some of the components work at a high temperature. After assembly and maintenance electrical cabinets must be locked. Access to these cabinets may only be granted to authorised personnel.
- Don't press the start and/ or restart buttons before the machine is fully assembled.

2.3 Mechanical safety



CAUTION!

- Before using the machine, make sure that it is undamaged. Damaged parts must be repaired or replaced by qualified technicians. Machines must not be used if the machine components are not working properly.
 - Improperly installed parts can detach from the machine and cause injury or death to users and / or the machine.
- All machine parts must be serviced in accordance with the maintenance instructions.

2.4 Automation safety



ATTENTION!

This device is designed to work semiautomatically, but might not be safe without surveillance. Machine owner is responsible of safe and proper operation of the machine in unravelled operation.

2.5 Manufacturer liability

All devices have been designed and built using the best technologies and follow the current requirements for machine safety.

The manufacturer is not responsible for human injury or death, material and financial losses if they are caused by the following reasons:

- Improper use of the machine.
- Incorrect installation, use and maintenance of the machine.
- Using machines with damaged, wrongly installed and/or not working safety devices.
- Not fulfilling the safety requirements established in the user guide.
- Non authorized modification of machines and/or machine parts without proper coordination with the manufacturer.
- Incorrectly replaced spare parts or using spare parts not approved by the manufacturer.
- Damage retained by foreign objects or unforeseeable circumstances.

3 Maintenance of the machine

3.1 Mechanical description of the machine

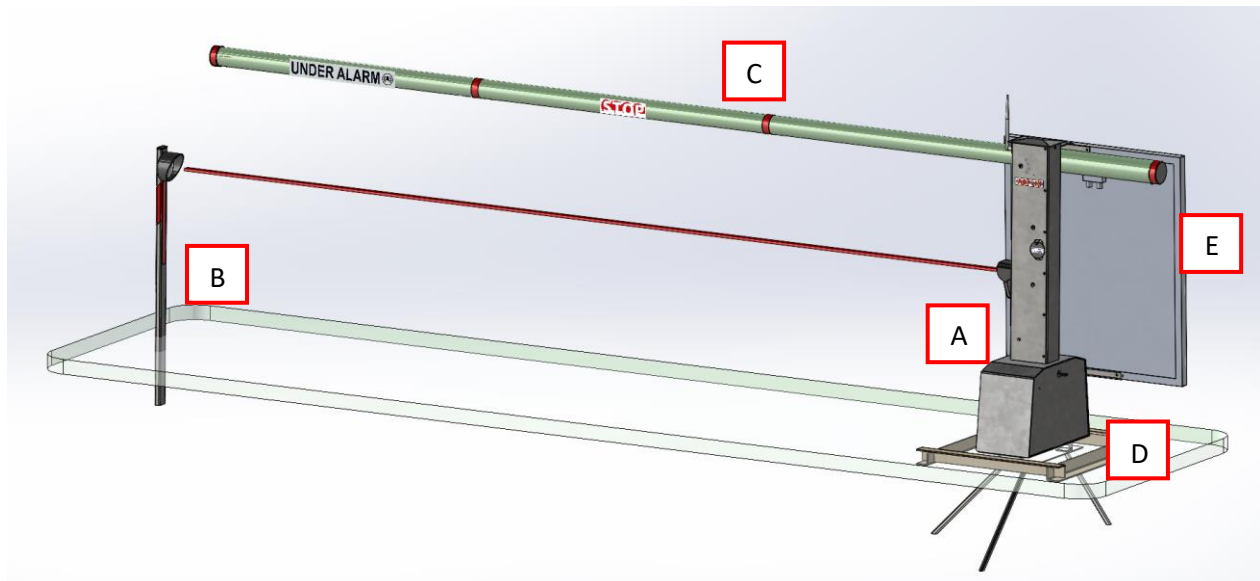


Figure 1. Illustration of the machine.

The machine is a semiautomatic road barrier, which can be operated automatically via phone and manually with a key in case of power loss.



The barrier consists of five parts which have to be installed on the site:

A – Tower – the tower holds all the mechanics and electronic of the machine.

B – Reflector post

C – Beam

D – Foundation

E – Solar panel

3.2 Mechanical maintenance of the machine

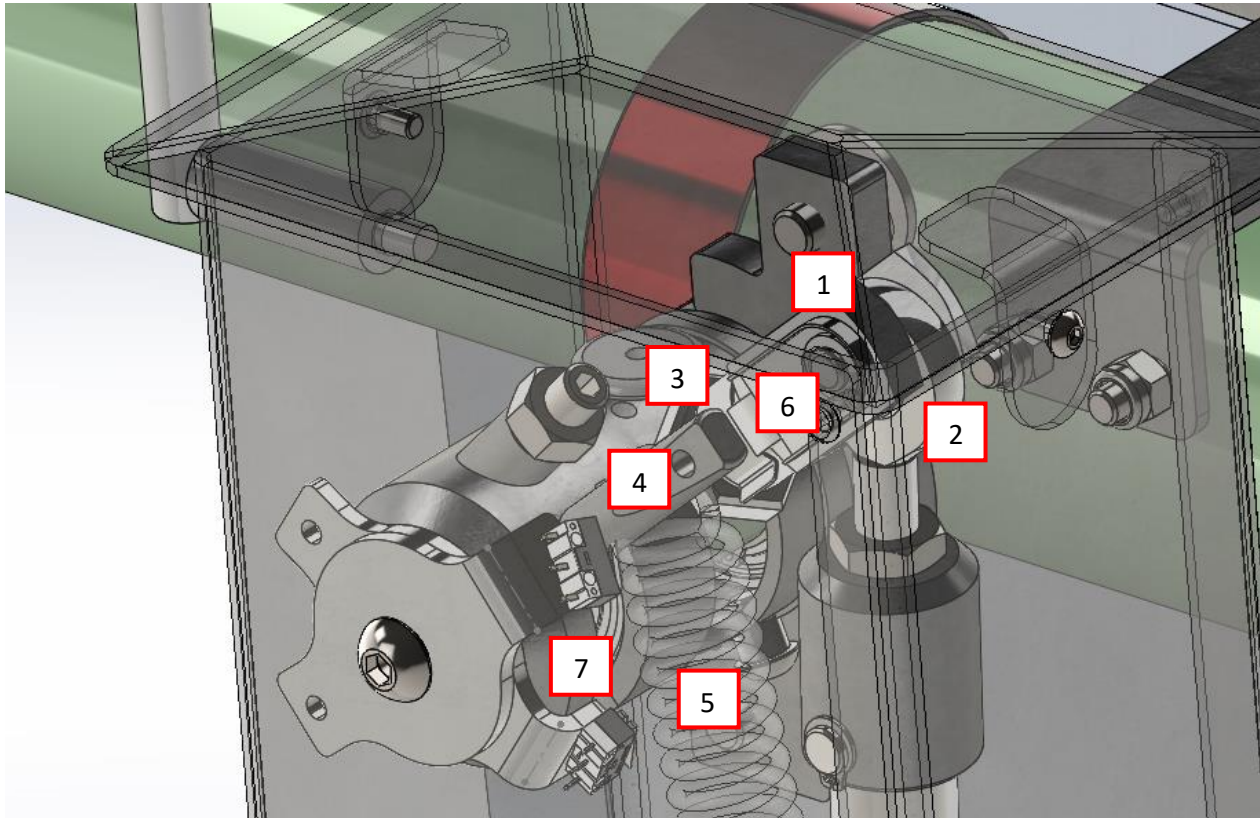


Figure 2. Illustration of the lifting mechanism maintainable parts

Table 1. Maintainable components

NR.	Product number	Description	Manufacturer	Criteria	Approach	Interval
1	631.01.00.08	Clevis	Aeflix OÜ	Wear	Check/Replace	When necessary
2	63461000	Rod end	Maedler	Wear	Check/Replace	When necessary
3	631.01.00.03	Finger M14	Aeflix OÜ	Wear	Check/Replace	When necessary
4	631.01.00.04	Spring finger	Aeflix OÜ	Wear	Check/Replace	When necessary
5	3514	Spring 3514	Lesjofors	Wear	Check/Replace	When necessary
6	63740900	Clevis pin	Maedler	Wear	Check/Replace	When necessary
7	MS3-LPC	Micro switch	Oomipood	Wear	Check/Replace	When necessary

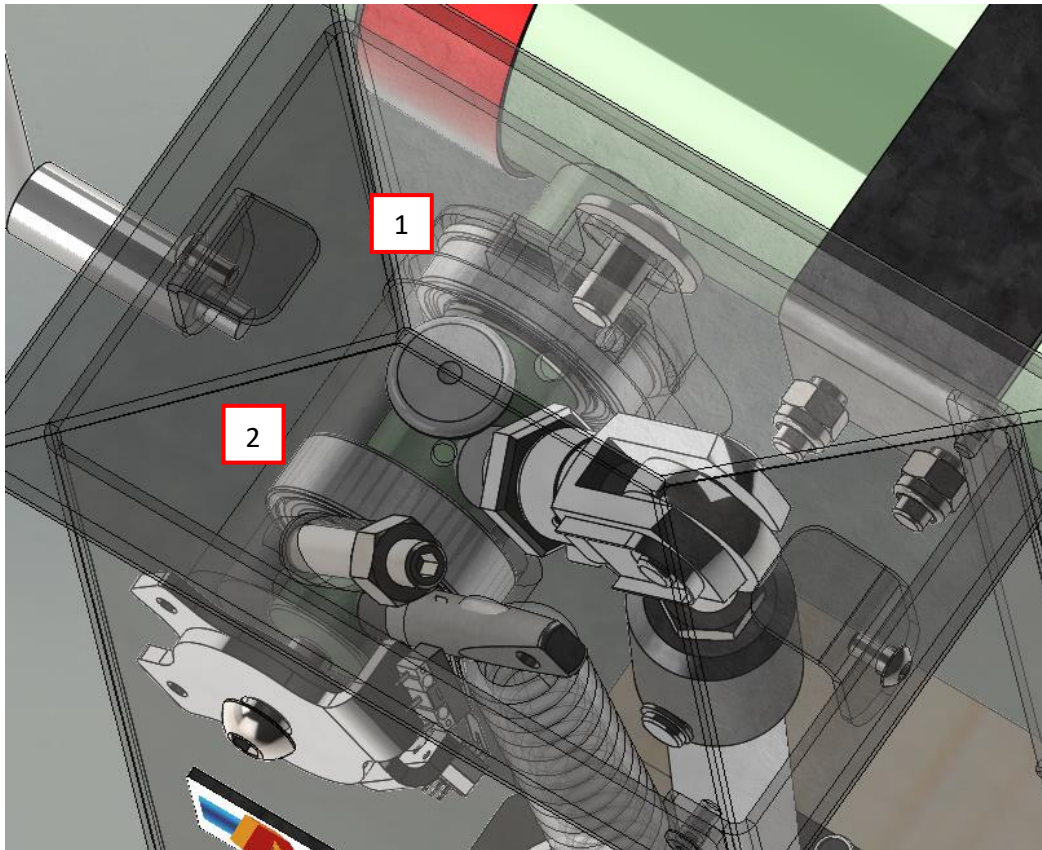


Figure 3. Illustration of the lifting mechanism maintainable parts

Table 2. Maintainable components

NR.	Product number	Description	Manufacturer	Criteria	Approach	Interval
1	61905-2RS1	Bearing	SKF	Wear	Check/Replace	When necessary
2	6004-2RSH	Bearing	SKF	Wear	Check/Replace	When necessary

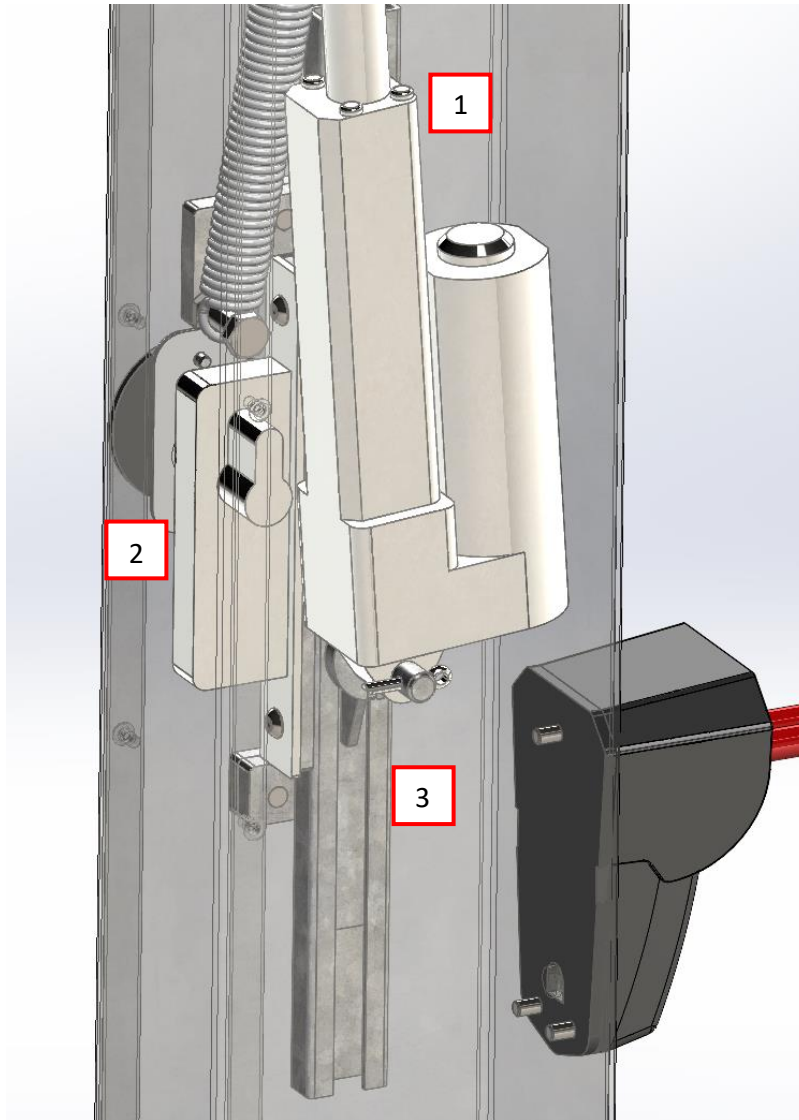


Figure 4. Illustration of the lifting mechanism maintainable parts

Table 3. Maintainable components

NR.	Product number	Description	Manufacturer	Criteria	Approach	Interval
1	DLA-HB-12-100-18-700-IP65	Linear actuator	Czhax	Wear	Check/Replace	When necessary
2	Santos 721-20	Santos 721-20	Santos	Wear	Check/Replace	When necessary
3	631.02.02.00	Lock comb	Aeflix OÜ	Wear	Check/Replace	When necessary

Aeflix OÜ
 Phone: (+372) 56568285
 Address: Jõe tn 1, Kambja vald
 61707 Tartumaa, Estonia
 E-mail: info@aeflix.eu

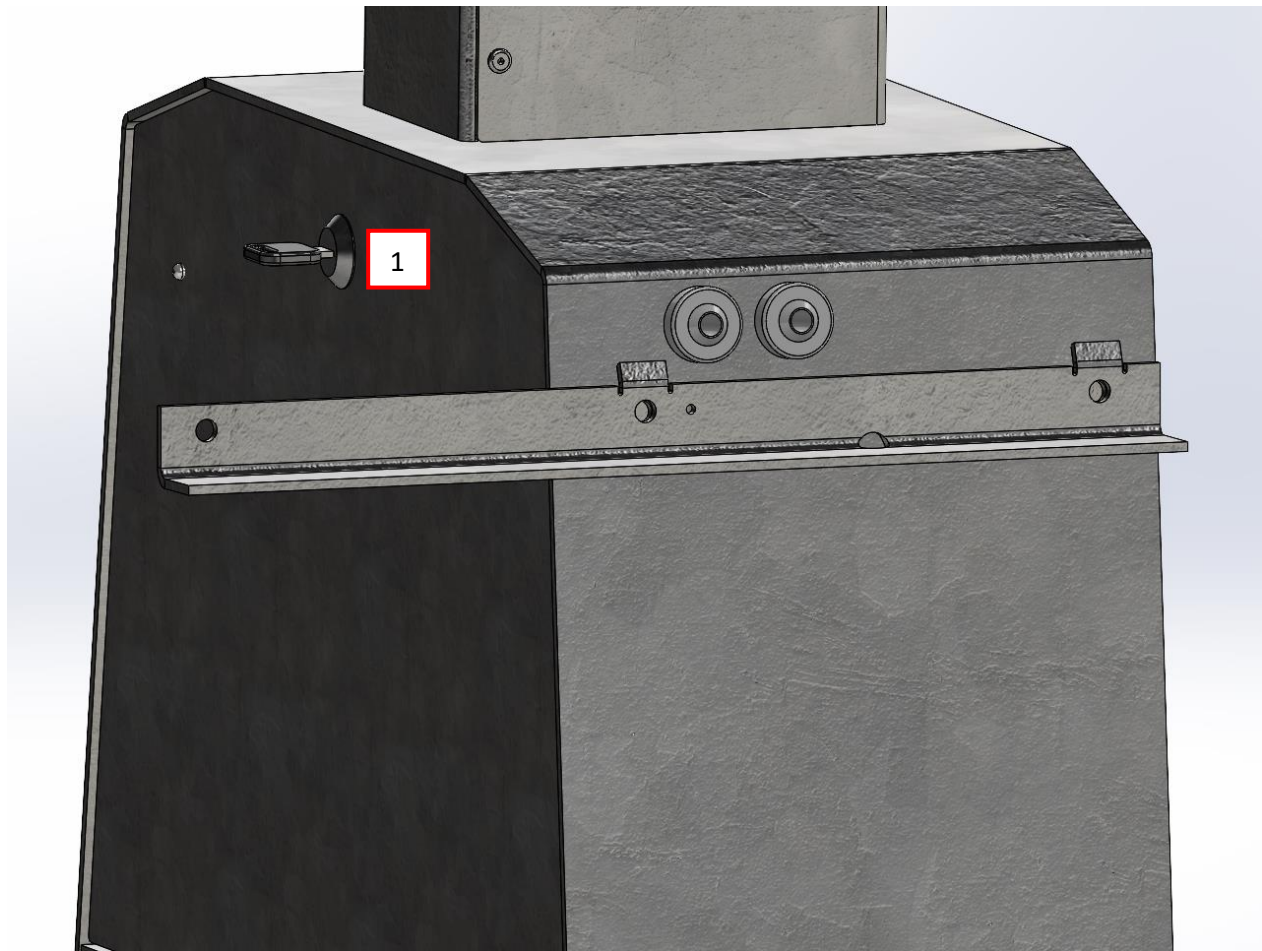


Figure 5. Illustration of the maintainable parts

Table 4. Maintainable components

NR.	Product number	Description	Manufacturer	Criteria	Approach	Interval
1	Lock 103-20	Lock 103-20	Santos	Wear	Check/Replace	When necessary

NB! All contact surfaces of moving components must be lubricated with lithium grease unless specified otherwise by the manufacturer.



3.3 Description of the barrier technical parameters

Table 5. Technical parameters

Parameters	Value	Unit
Height	1030	mm
Height of antenna	1066	mm
Width of base	420	mm
Width with panel	600	mm
Lenght of base	216	mm
Lenght with panel	667	mm
Lenght of the beam	3120	mm
Height of beam from ground	910	mm
Weight of machine	60	kg



Contact

In case of questions or problems, please contact us.

Call us:

(+372) 56568285

Write us an e-mail:

info@aeflix.eu

Write us:

Aeflix OÜ

Jõe tn 1, Reola küla, Kambja vald, 61707 Tartumaa, Estonia

Our company is here to solve your problems.

