



AEFLIX BARRIER POST MAINTENANCE MANUAL

2021

Aeflix OÜ
Phone: (+372) 56568285
Address: Jõe tn 1, Kambja vald,
61707 Tartumaa, Estonia
E-mail: info@aeflix.eu





Content

1	Definitions of hazards.....	4
2	Read before use	5
2.1	General safety	5
2.2	Mechanical safety.....	6
2.3	Manufacturer liability	6
3	Maintenance of the machine.....	7
3.1	Mechanical description of the machine	7
3.2	Mechanical maintenance of the machine	9
3.3	Description of the barrier technical parameters.....	14

Aeflix OÜ
Phone: (+372) 56568285
Address: Jõe tn 1, Kambja vald,
61707 Tartumaa, Estonia
E-mail: info@aeflix.eu

1 Definitions of hazards

The following pictograms appear in the manual:



CAUTION!

This term and symbol will be used if non-compliance with safety information can result in bodily injury or death. Used also when it can end with significant damage to the machine.



ATTENTION!

This term and symbol are used to indicate to minor injury or other consequential damages resulting from use.

2 Read before use



CAUTION!

These devices may only be used by trained personnel. The user must always follow the operating instructions, safety instructions, safety labels and instructions for safe handling of the device. Persons who do not have the necessary training are a danger to themselves and to the equipment.

IMPORTANT! The operator of the device must be familiar with all warnings, cautions, and instructions before using the device. Before starting work on the equipment, the owner of the equipment must make sure that the fitters and operators of the machine have read both the safety and operating instructions for the equipment and the maintenance manual. The main responsibility for ensuring safe operation of the equipment lies with the owner of the equipment and the individuals who use it

All machinery involves hazards due to rotating bodies, belts and pulleys, high voltage, noise and compressed air. When using the equipment, safety precautions must be observed to prevent injuries to persons and damage to the equipment.

2.1 General safety

- This device can cause serious injuries.
- Read local safety instructions before starting work. If you have any safety questions, contact your machine dealer.



ATTENTION!

- Security covers must be kept closed and locked when the device is running.

2.2 Mechanical safety



CAUTION!

- Before using the machine, make sure that it is undamaged. Damaged parts must be repaired or replaced by qualified technicians. Machines must not be used if the machine components are not working properly.
- Improperly installed parts can detach from the machine and cause injury or death to users and / or the machine.
- All machine parts must be serviced in accordance with the maintenance instructions.

2.3 Manufacturer liability

All devices have been designed and built using the best technologies and follow the current requirements for machine safety.

The manufacturer is not responsible for human injury or death, material and financial losses if they are caused by the following reasons:

- Improper use of the machine.
- Incorrect installation, use and maintenance of the machine.
- Using machines with damaged, wrongly installed and/or not working safety devices.
- Not fulfilling the safety requirements established in the user guide.
- Non authorized modification of machines and/or machine parts without proper coordination with the manufacturer.
- Incorrectly replaced spare parts or using spare parts not approved by the manufacturer.
- Damage retained by foreign objects or unforeseeable circumstances.

3 Maintenance of the machine

3.1 Mechanical description of the machine

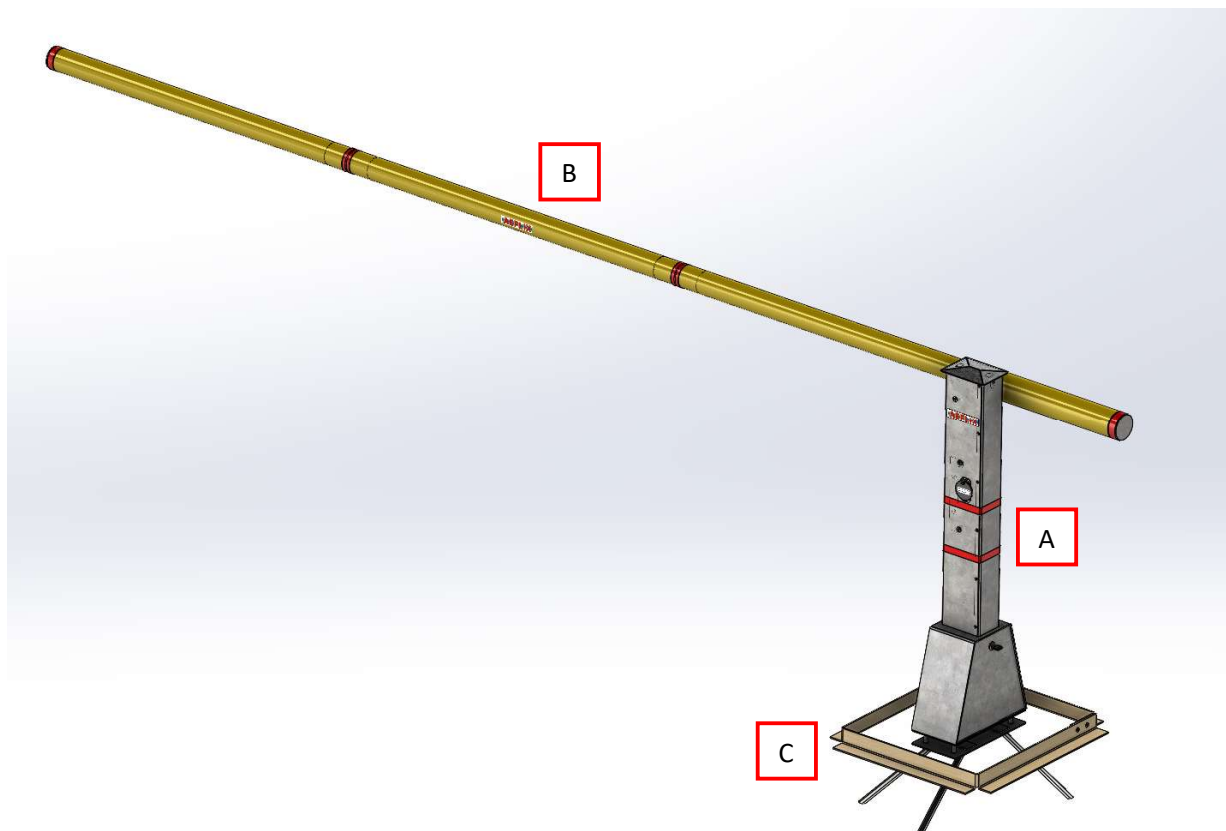


Figure 1. Illustration of the machine.

The machine is a manual road barrier, which can be operated by unlocking the mechanism with a key and lifting/lowering the beam.

A – Tower

B – Beam



C – Foundation

3.2 Mechanical maintenance of the machine

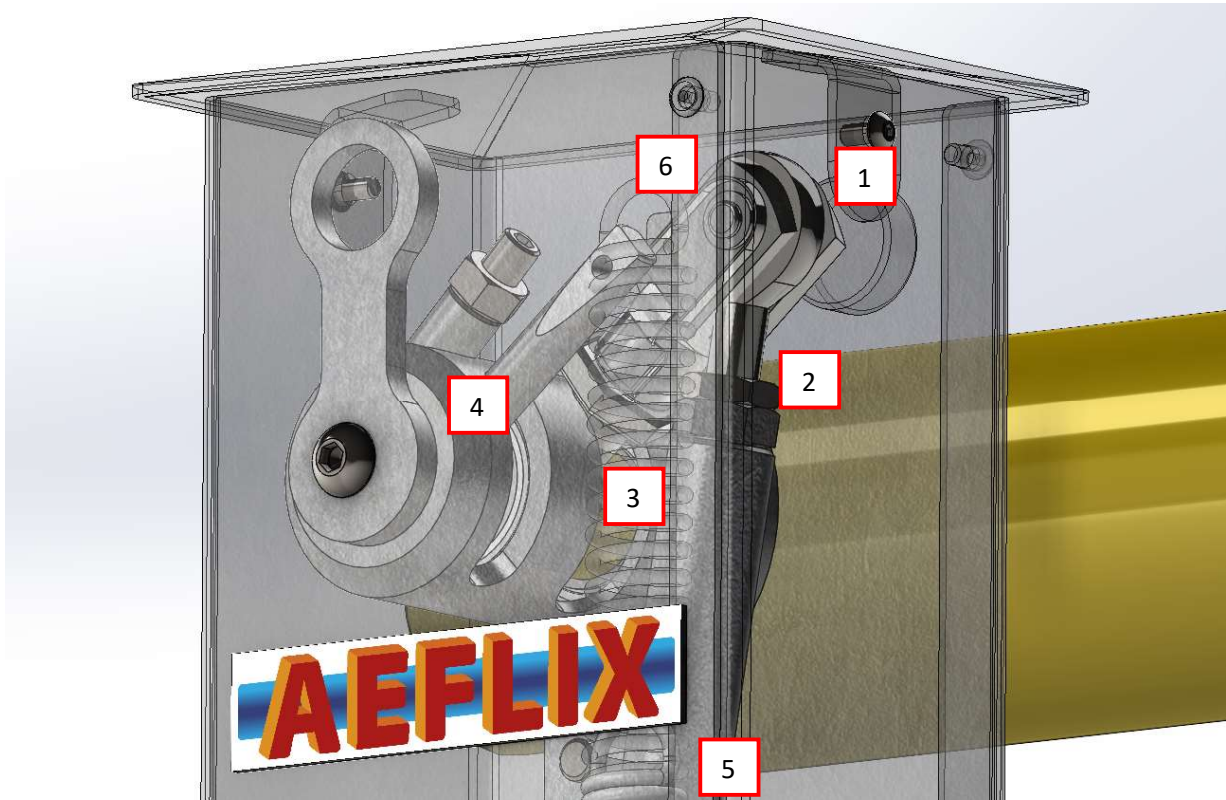


Figure 2. Illustration of the lifting mechanism maintainable parts

Table 1. Maintainable components

NR.	Product number	Description	Manufacturer	Criteria	Approach	Interval
1	631.01.00.08	Clevis	Aeflix OÜ	Wear	Check/Replace	When necessary
2	63461000	Rod end	Maedler	Wear	Check/Replace	When necessary
3	631.01.00.03	Finger M14	Aeflix OÜ	Wear	Check/Replace	When necessary
4	631.01.00.04	Spring finger	Aeflix OÜ	Wear	Check/Replace	When necessary
5	3514	Spring 3514	Lesjofors	Wear	Check/Replace	When necessary
6	63740900	Clevis pin	Maedler	Wear	Check/Replace	When

Aeflix OÜ
 Phone: (+372) 56568285
 Address: Jõe tn 1, Kambja vald,
 61707 Tartumaa, Estonia
 E-mail: info@aeflix.eu

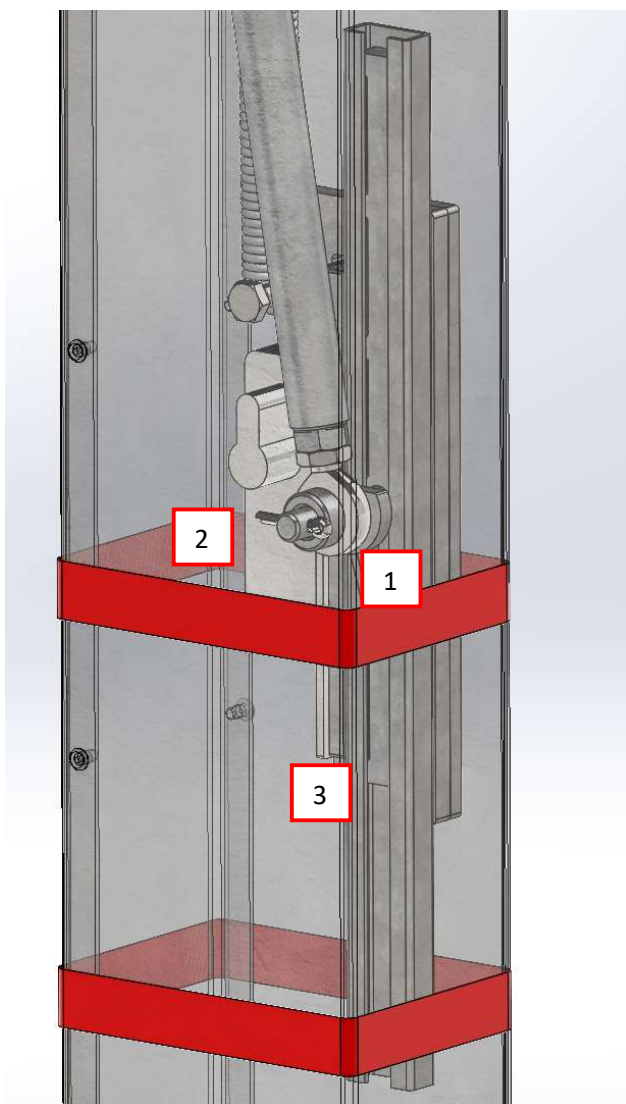


Figure 4. Illustration of the lifting mechanism maintainable parts

Table 3. Maintainable components

NR.	Product number	Description	Manufacturer	Criteria	Approach	Interval
1	63461000	Rod end	Maedler	Wear	Check/Replace	When necessary
2	Santos 721-20	Santos 721-20	Santos	Wear	Check/Replace	When necessary
3	631.02.02.00	Lock comb	Aeflix OÜ	Wear	Check/Replace	When

Aeflix OÜ
 Phone: (+372) 56568285
 Address: Jõe tn 1, Kambja vald,
 61707 Tartumaa, Estonia
 E-mail: info@aeflix.eu





3.3 Description of the barrier technical parameters

Table 5. Technical parameters

Parameters	Value	Unit
Height	1020	mm
Width of base	300	mm
Length of base	150	mm
Length of the beam	3120	mm
Height of beam from ground	900	mm
Weight of machine	30	kg



Contact

In case of questions or problems, please contact us.

Call us:

(+372) 56568285

Write us an e-mail:

info@aeflix.eu

Write us:

Aeflix OÜ

Jõe tn 1, Reola küla, 61707 Tartumaa, Estonia

Our company is here to solve your problems.

